

METERING PUMPS

P N E U M A T I C B E L L O W S

General Specifications: 85T Series Pneumatic Bellows Metering Pumps			
Wetted Parts:		Pneumatic Section:	
Pump Body:	303 Stainless Steel	Piston Housing:	303 Stainless Steel
Plunger:	Ceramic	Timer:	303 Stainless Steel
Plunger Seal:	Lubrithane	Plunger Sizes:	1/4" & 1/2" plunger diameters
Bellows:	TFE	Pressure:	To 2,400 psi, maximum
Check Valves :		Optional Materials: Hastelloy, Monel, & Titanium	
Body:	316 Stainless Steel		
Ball:	Carbide		
Spring - Discharge:	316 Stainless Steel		
Seat:	TFE		

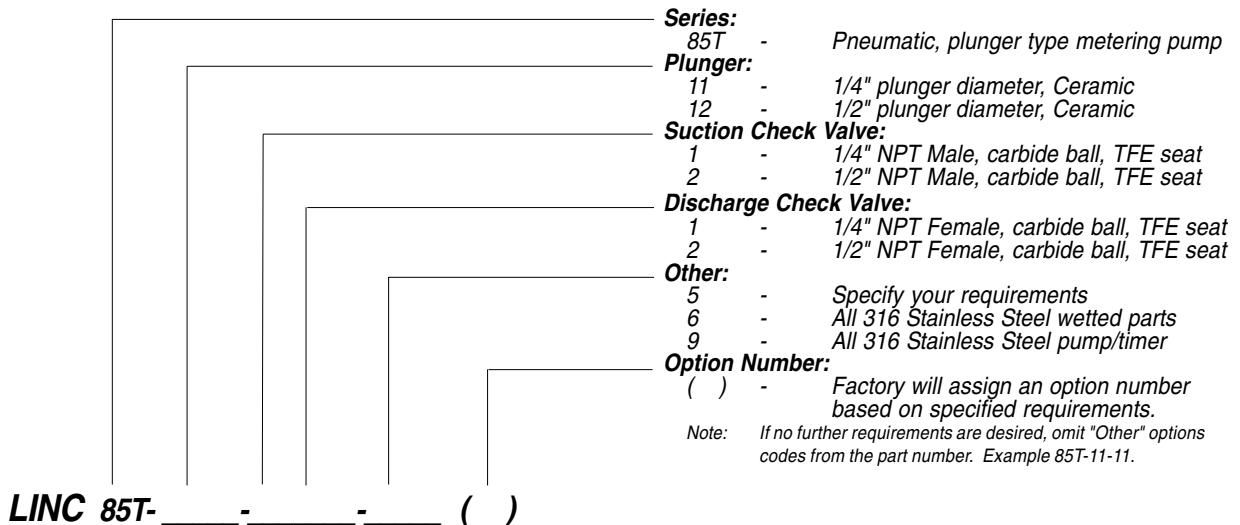
The LINC 85T Series: Pneumatic, Bellows-Type Metering Pump Selection Chart												
Model Number	Plunger Diameter	Piston Diameter	Maximum Rate Gal/Hr	Maximum Rate Liter/Hr	Minimum Rate Gal/Hr	Minimum Rate Liter/Hr	Maximum Pressure psi	Maximum Pressure bar	Theoretical Amp. Ratio	Strokes Per Minute	Volume Per Stroke	Stroke Length
85T-11	1/4"	2 1/4"	0.42	1.59	0.006	0.023	2,400 ⁵	165.5	81:1	4 - 50	0.53 cc	1"
85T-12	1/2"	3"	1.66	6.28	0.025	0.095	2,400 ⁵	165.5	36:1	4 - 50	2.10 cc	1"

Notes:

1. Maximum rates are based on 50 strokes per minute.
2. Minimum rates are calculated on: 1/4" and 1/2" pumps are 1/4" stroke length and a minimum of 4 strokes per minute.
3. The timer supply pressure is 15 to 100 psi.*
4. TFE wetted O-rings are standard.
5. 85T-11 Maximum pressure based on 80 psi supply pressure.*
6. 85T-12 Maximum pressure based on 100 psi supply pressure.*

*Actual pump discharge pressure and stroke frequency will be dependent on the actual timer supply pressure used to stroke the pump.

Ordering Chart: 85T Series Pneumatic Bellows Plunger Metering Pump

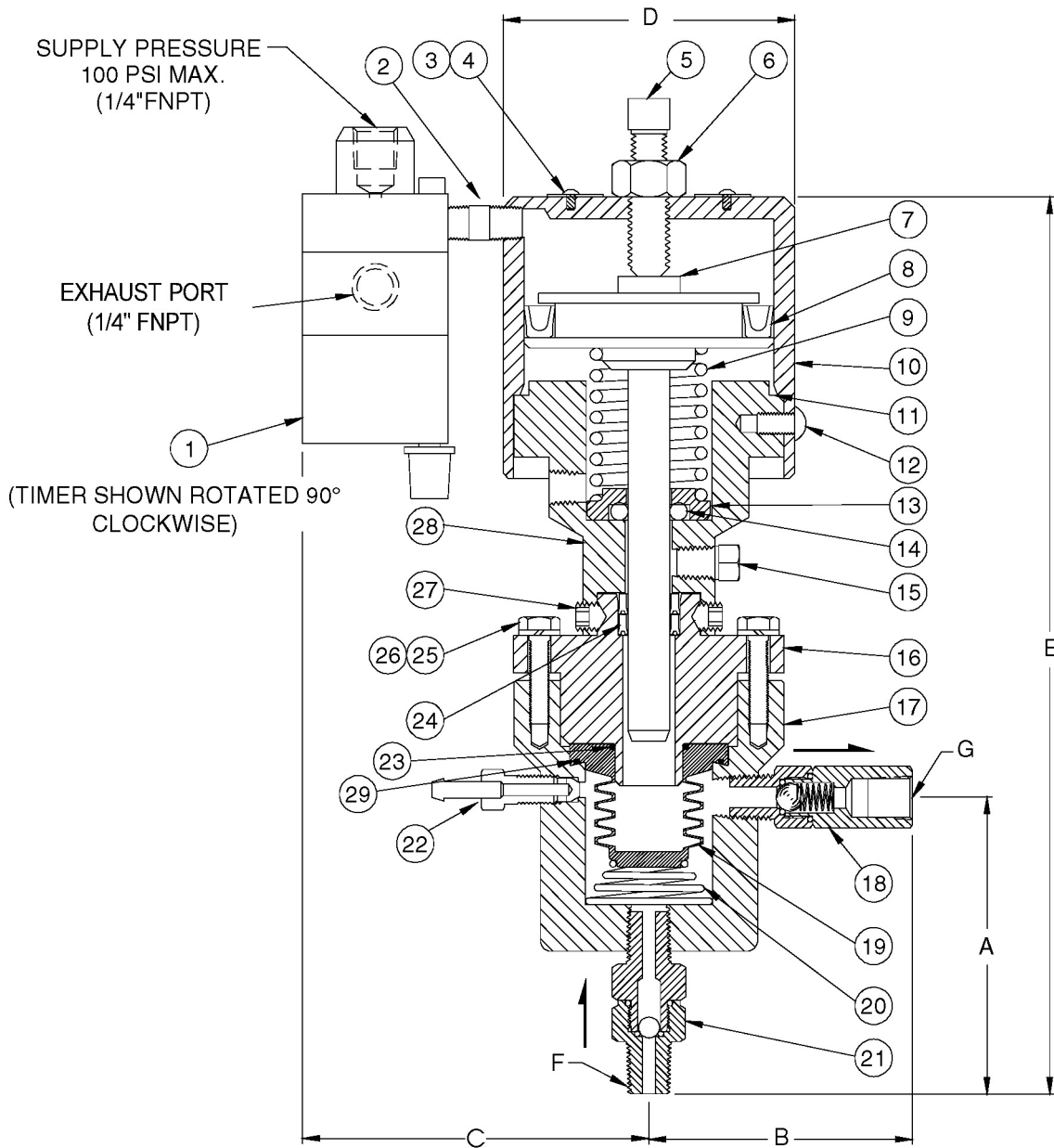


Example: LINC 85T-12-22-6 Pneumatic, Bellows Metering Pump

METERING PUMPS

P N E U M A T I C B E L L O W S

Figure 1, LINC85T-11 & 12 Metering Pump



MODEL 85T-12-11

Model	85T-11-11	85T-12-11
A	3 1/2"	3 5/8"
B	3 1/8"	3 5/16"
C	3 7/8"	4 1/4"
D	2 3/4"	3 1/2"
E	10 3/4"	11"
F Suction	1/4" NPTM	1/4" NPTM
G Discharge	1/4" NPTF	1/4" NPTF