

METERING PUMPS

P N E U M A T I C P L U N G E R

General Specifications: 84T-10, 11, 12 & 14 Series Pneumatic Metering Pumps

Wetted Parts:

Pump Body:	316 ss
Plunger:	17-4 PH ss or Ceramic
Plunger Seal:	Refer to Ordering Chart

Check Valves :

Body:	316 ss
Ball:	440C ss or Carbide
Spring - Discharge:	316 ss
Seat:	See Check Valve Parts List

Pneumatic Section:

Piston Housing:	303 ss
Timer:	303 ss

Plunger Sizes: 3/16", 1/4", 1/2" & 1" plunger R diameters

Pressure: To 10,000 psi, maximum

Optional Materials: 316 ss, Hastelloy, Monel, & Titanium

The LINC 84T-10, 11, 12 & 14 Series: Pneumatic, Plunger-Type Metering Pump Selection Chart

Model Number	Plunger Diameter	Piston Diameter	Maximum Rate Gal/Hr	Maximum Rate Liter/Hr	Minimum Rate Gal/Hr	Minimum Rate Liter/Hr	Maximum Pressure psi ⁵	Maximum Pressure bar	Amp. Ratio	Strokes Per Minute	Volume Per Stroke cc	Stroke Length
3/16" Plunger with Timer												
84T-10-x1	3/16"	2 1/4"	0.32	1.21	0.002	0.015	10,000	689	125:1	4 - 60	0.34	1"
1/4" Plunger with Timer												
84T-11-x1	1/4"	2 1/4"	0.76	2.88	0.01	0.038	6,370	439	75:1	4 - 60	0.80	1"
84T-11-x2	1/4"	3"	0.64	2.42	0.01	0.038	10,000	689	120:1	4 - 50	0.80	1"
1/2" Plunger with Timer												
84T-12-x2	1/2"	3"	2.5	9.5	0.03	0.10	2,550	176	30:1	4 - 50	3.2	1"
84T-12-x4	1/2"	4"	1.5	5.7	0.03	0.10	5,100	352	60:1	4 - 30	3.2	1"
1" Plunger with Timer												
84T-14-x4	1"	4"	5.1	19.3	0.20	0.77	1,190	82	14:1	4 - 25	12.8	1"

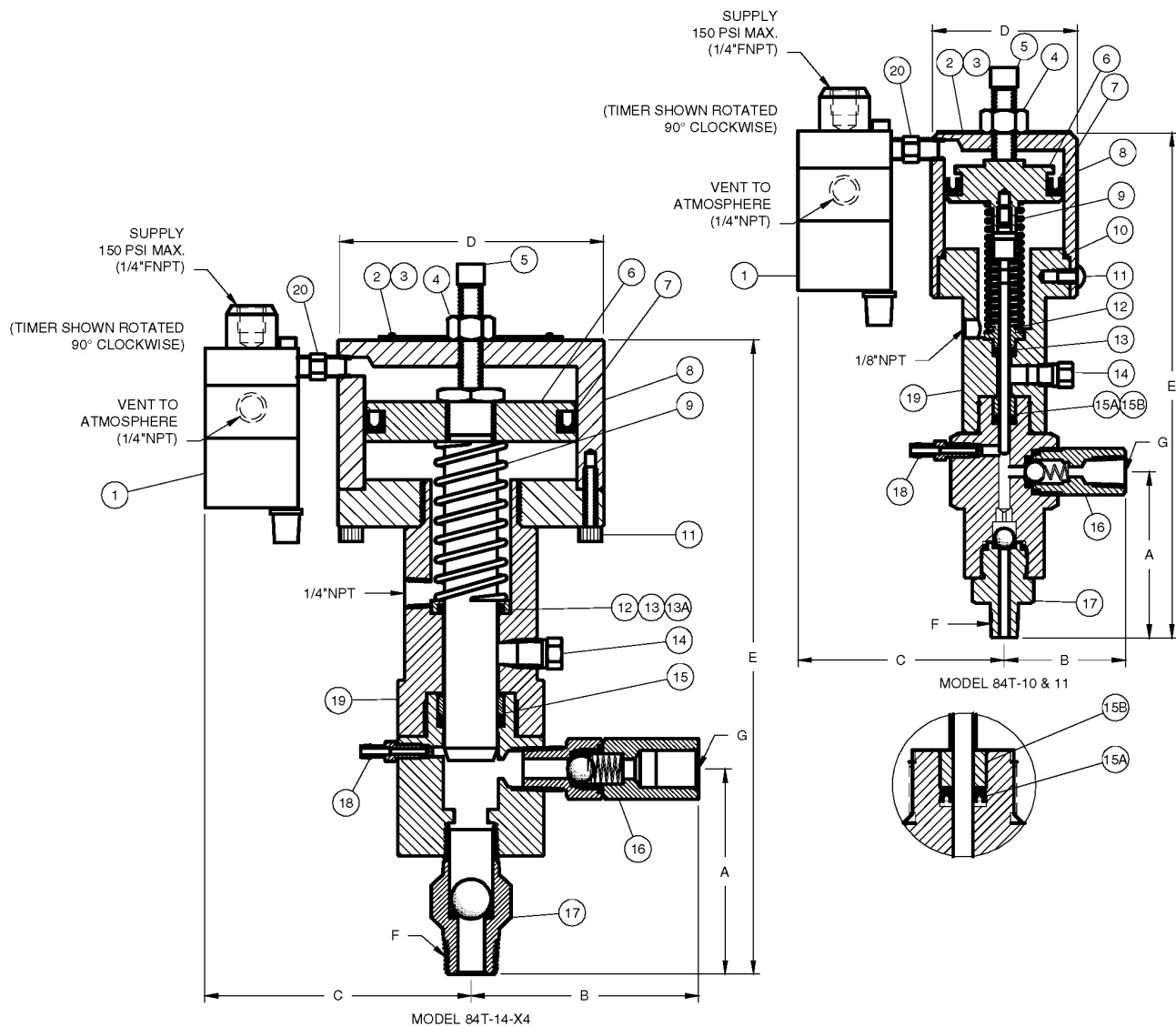
Notes:

- Maximum rates are based on maximum strokes per pump.
- Minimum rates are calculated as follows:
3/16", 1/4" and 1/2" plunger pumps are 1/4" stroke length and a minimum of 4 strokes per minute.
1" plunger pumps are 1/4" stroke length and a minimum of 4 strokes per minute.
- The timer supply pressure is 15 to 110 psi.
- When creating a Model Number using the Ordering Chart, the "X" in the Model Number column above will be replaced by a single digit representing the plunger seal selection. The plunger seal is shown in the Ordering Chart.
- Maximum pressure based on 100 psi supply pressure.
- Volume per stroke in shown for maximum pressure and strokes per minute. Volume per stroke increases as discharge pressure decreases.

METERING PUMPS

P N E U M A T I C P L U N G E R

Figure 1, LINC84T-10, 11, & 14 Series Pump

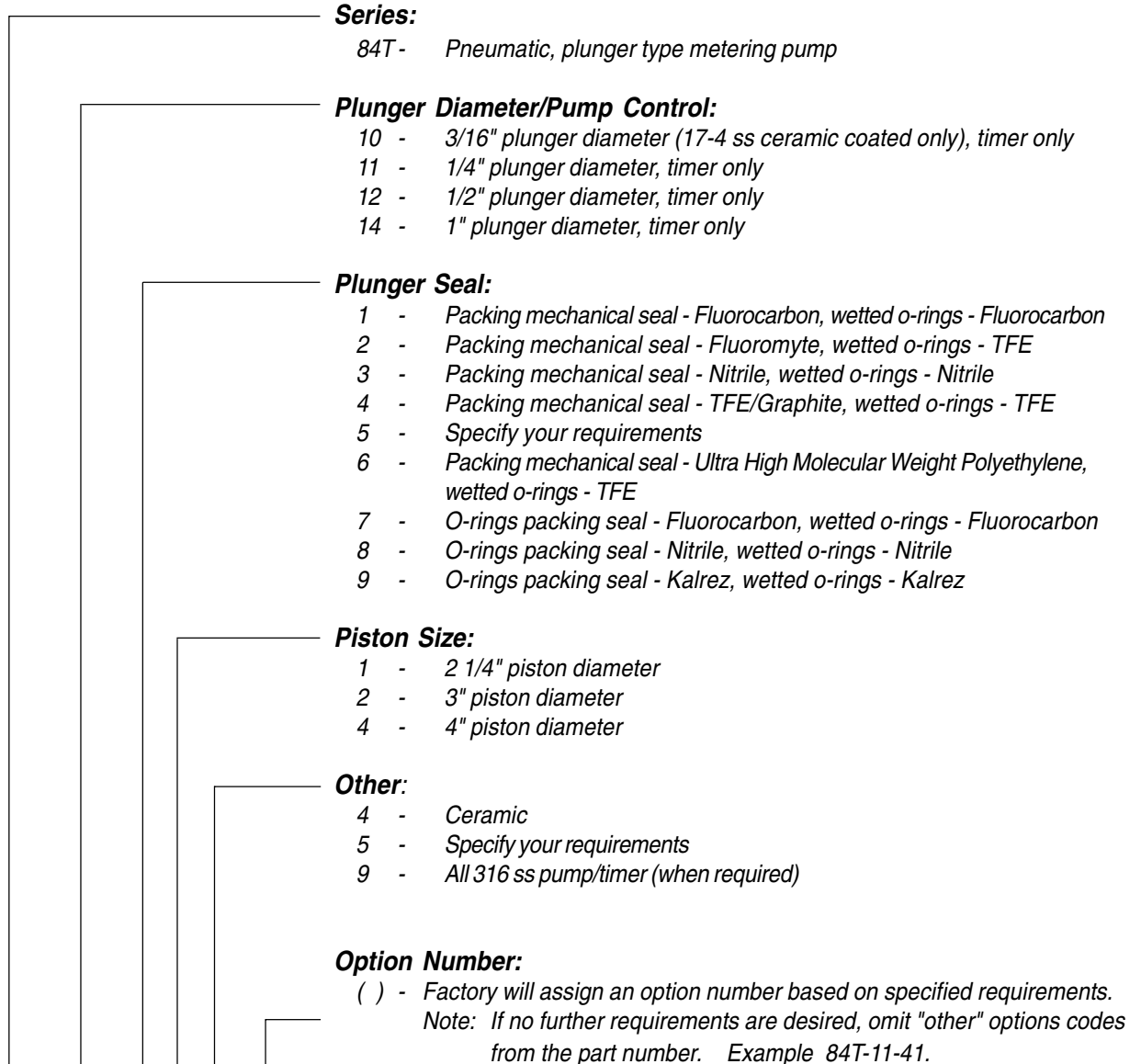


Model	84T-10,11-X1	84T-10,11-X2	84T-14-X4
A.....	3 1/4"	3 1/4"	3 7/8"
B.....	2 1/8"	2 1/4"	4 1/4"
C.....	3 7/8"	4 1/4"	5"
D.....	2 3/4"	3 1/2"	5"
E.....	8 7/8"	9 3/4"	11 7/8"
F Suction.....	1/4" NPTM	1/4" NPTM	3/4" NPTM
G Discharge.....	1/4" NPTF	1/4" NPTF	1/2" NPTF

METERING PUMPS

P N E U M A T I C P L U N G E R

Ordering Chart: LINC 84T-10, 11, 12 & 14 Pneumatic Plunger Metering Pump



LINC 84T-____-____()

Example: LINC 84T-11-41 Pneumatic Metering Pump